



Installation instructions for PZ4AL- 08330- 00

LEXUS - IS 250

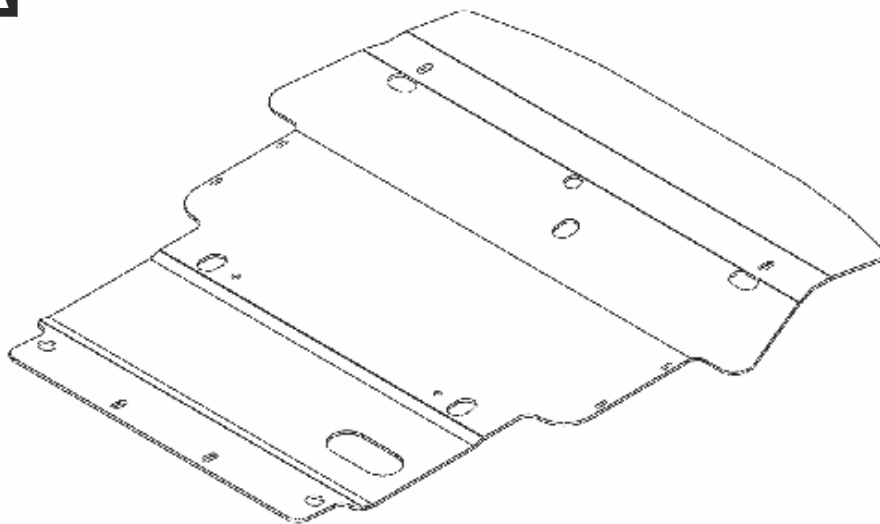
Under Run Protective Shield engine bay



Model Year:	2005
Vehicle Code:	GSE20L-AETLHW
Part Number:	PZ4AL- 08330- 00
 Weight:	11.1 kg
 Installation Time:	20 min
Manual reference number:	AIM 000-854-0

Part number: PZ4AL - 08330 - 00

A



PZ4AL-08330-60

B



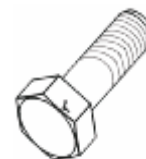
4 x Ø10

C1



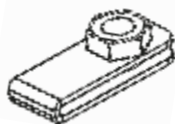
2 x M10X30

C2

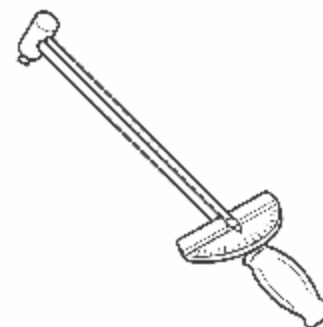
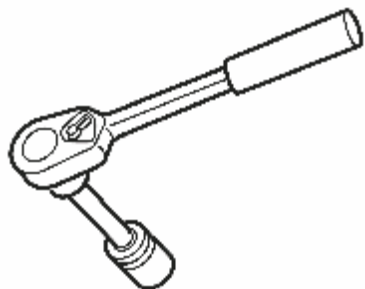


2x M10X40

D



4 x



Part number:
PZ4AL - 08330 - 00

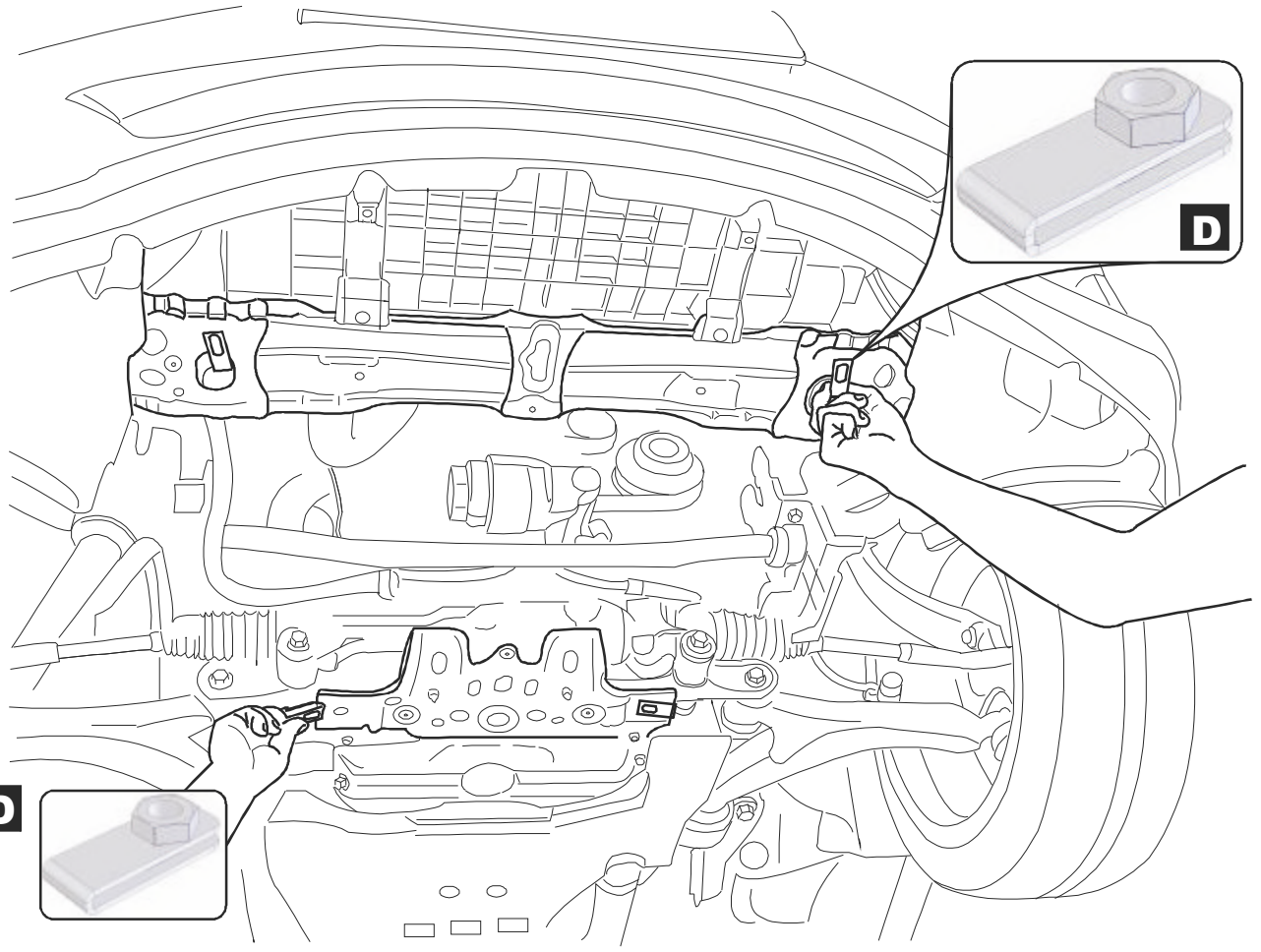
Issue:
0

Date:
19/12/06

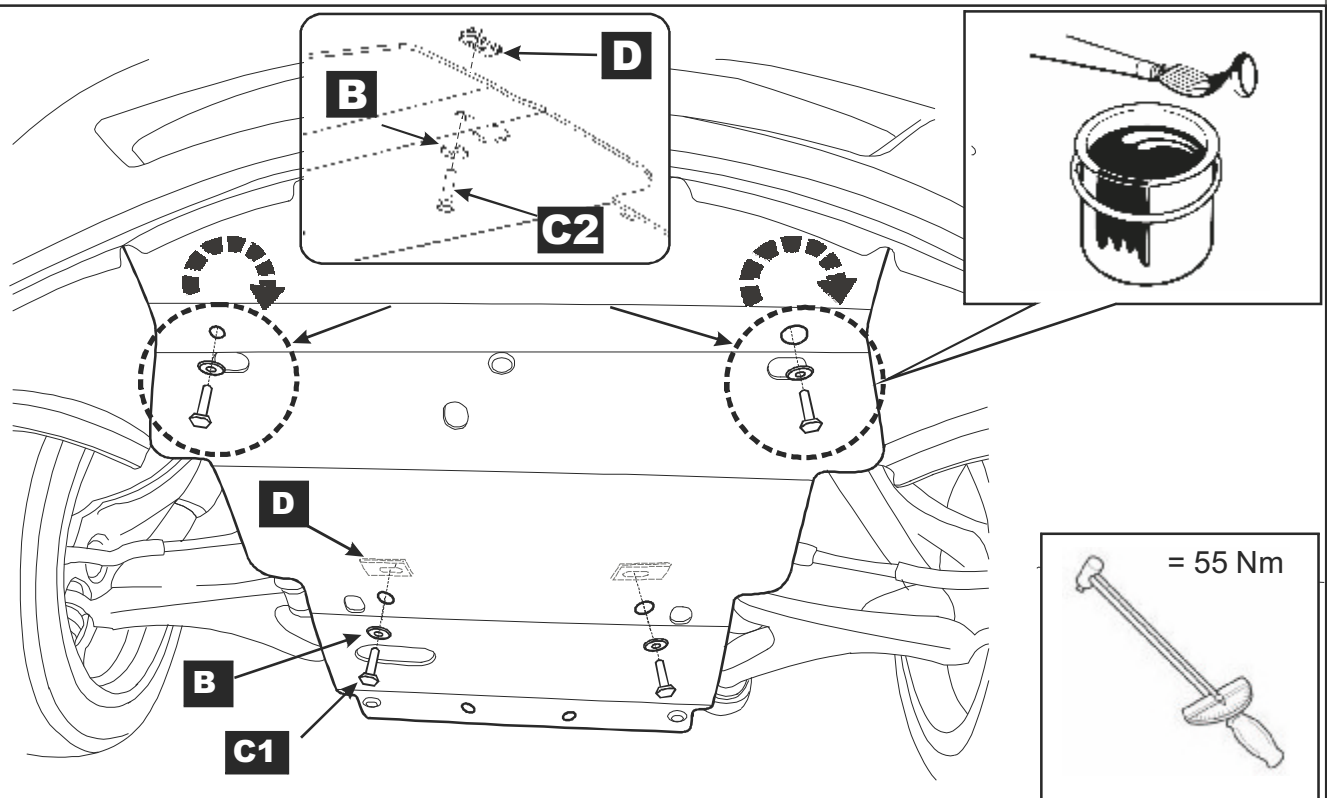
Manual reference number:
AIM 000-854-0

Page:
2/3

1



2



Part number:
PZ4AL - 08330 - 00

Issue:
0

Date:
19/12/06

Manual reference number:
AIM 000-854-0

Page:
3/3